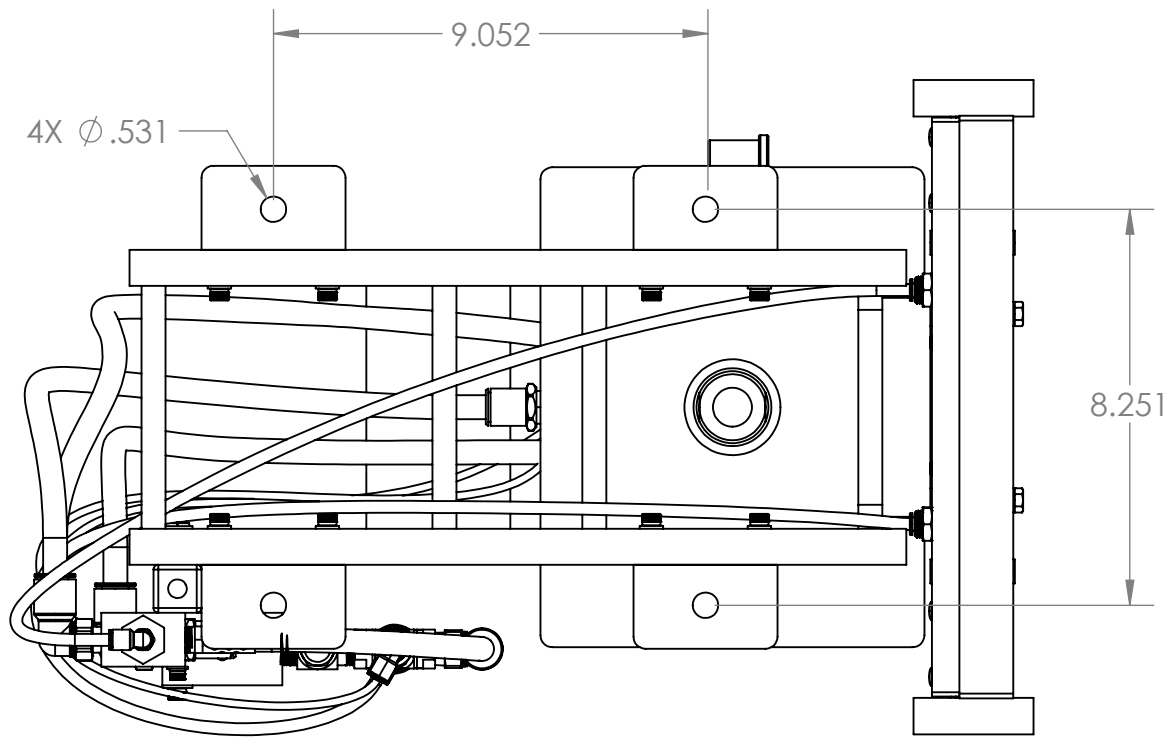


4

3

2

1



PROPRIETARY AND CONFIDENTIAL

THE INFORMATION CONTAINED IN THIS DRAWING IS THE SOLE PROPERTY OF JORACO PRESS COMPANY. ANY REPRODUCTION IN PART OR AS A WHOLE WITHOUT THE WRITTEN PERMISSION OF JORACO PRESS COMPANY IS PROHIBITED.

UNLESS OTHERWISE SPECIFIED:	NAME	DATE
DIMENSIONS ARE IN INCHES TOLERANCES: FRACTIONAL ± 1/64 TWO PLACE DECIMAL ± 0.01 THREE PLACE DECIMAL ± 0.002	DRAWN	3/13/2025
	CHECKED	
	ENG APPR.	
	MFG APPR.	
	Q.A.	
INTERPRET GEOMETRIC TOLERANCING PER: ASME 14.5M-2009	COMMENTS:	
MATERIAL	BREAK ALL SHARP EDGES & REMOVE ALL BURS	
FINISH		
DO NOT SCALE DRAWING		



TITLE:
HP 4/8 Foot Spacing

SIZE	DWG. NO.	REV
A		
SCALE: 1:16		SHEET 2 OF 2

4

3

2

1