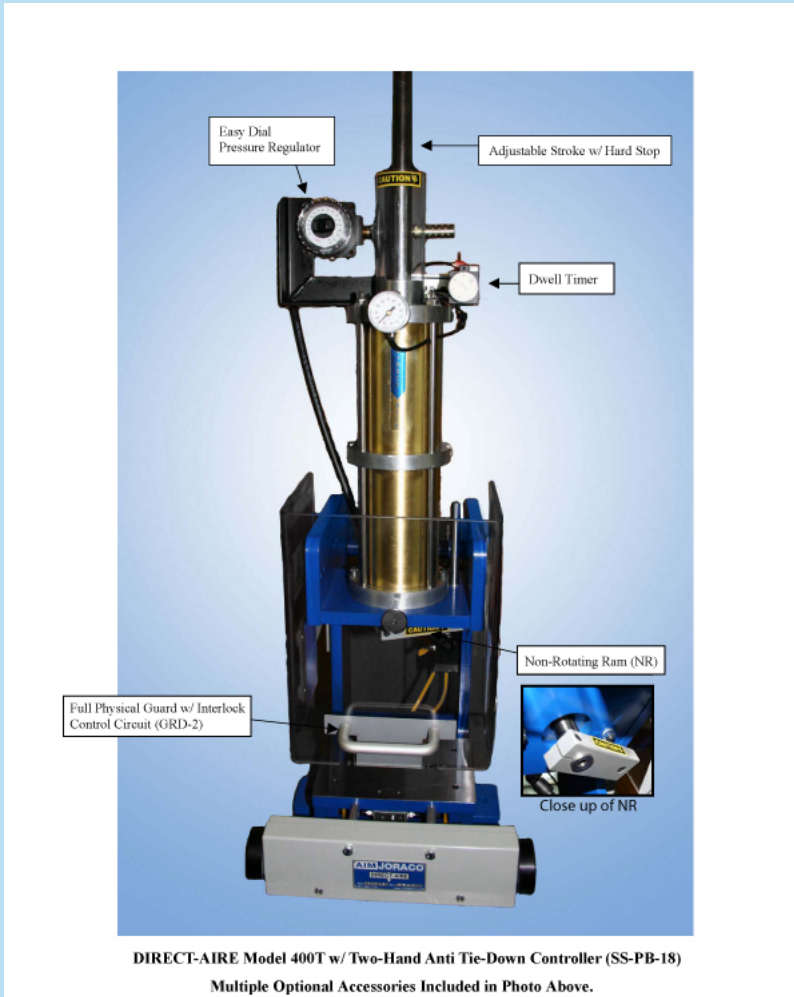


DIRECT-AIRE PNEUMATIC PRESS SERIES



DIRECT-AIRE Model 400T w/ Two-Hand Anti Tie-Down Controller (SS-PB-18)
Multiple Optional Accessories Included in Photo Above.

- **ECONOMICAL**
- **COMPACT**
- **TROUBLE FREE**
- **ACCURATE**
- **ADAPTABLE**

Model 300 Series 650 lbs @ 100PSI

Model 400 Series 1200 lbs @ 100PSI

Model 400T Series 2300 lbs @ 100PSI

Model 800 Series 5000 lbs @ 100PSI

SPECIFICATIONS

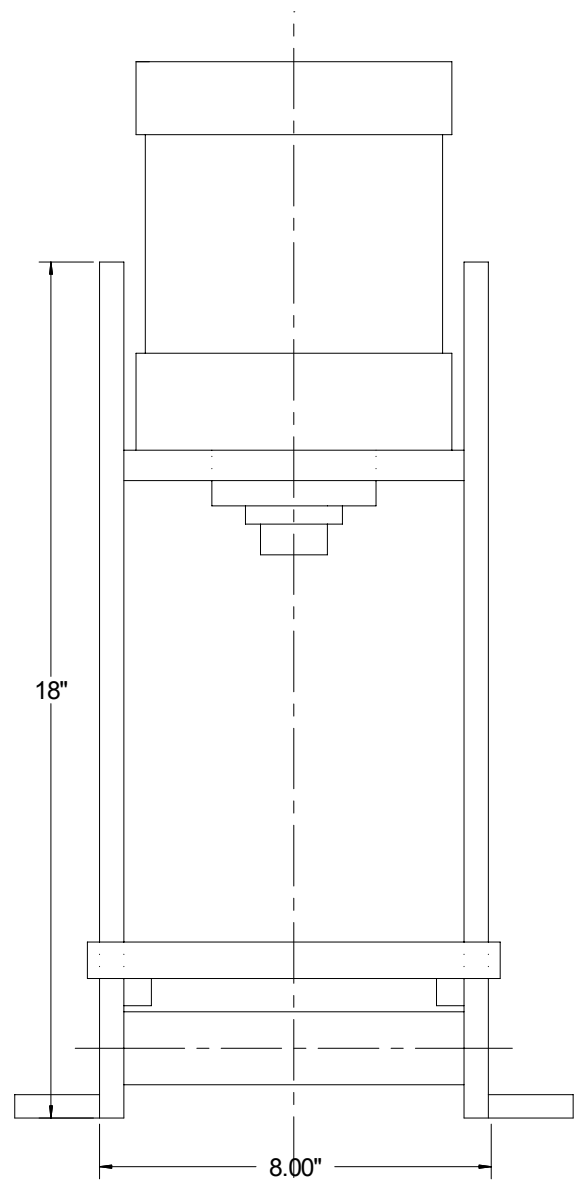
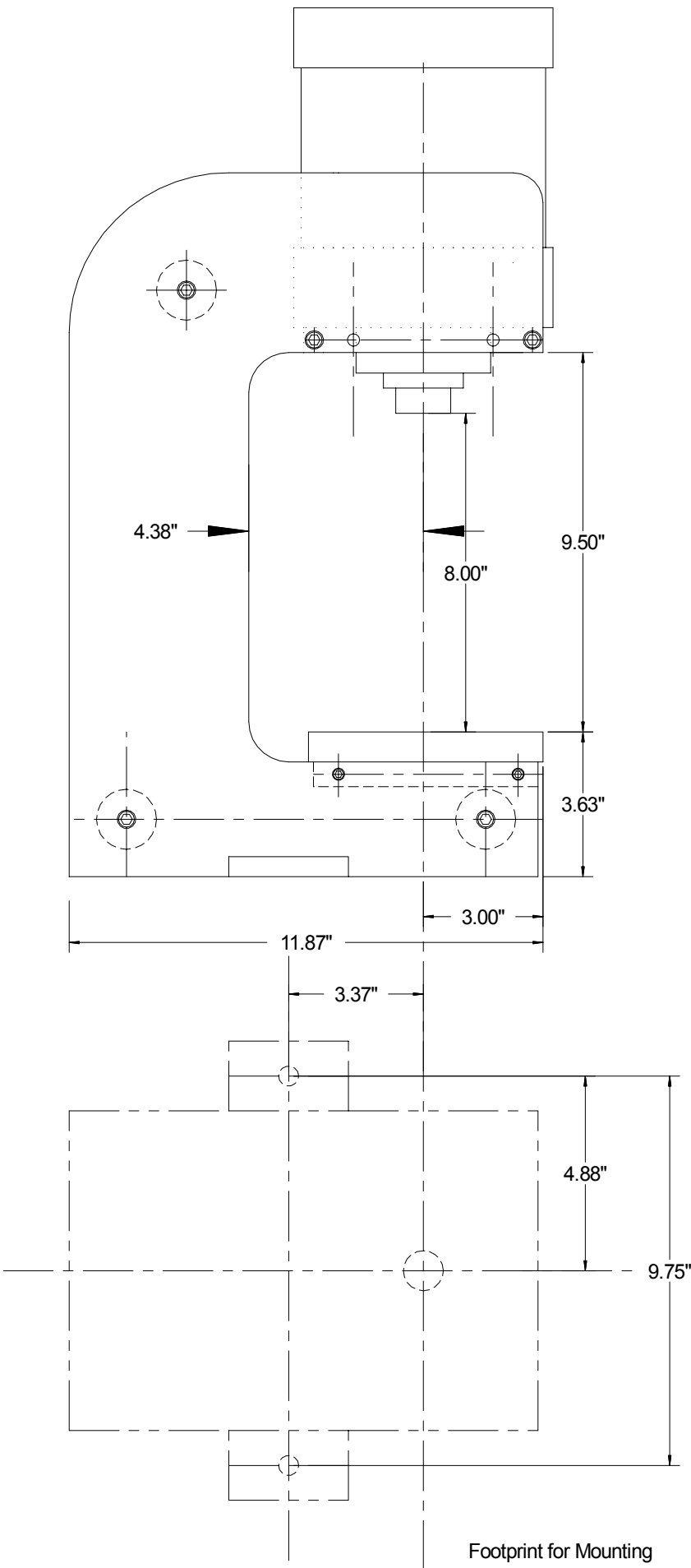
- **Stroke 4.5"**
- **Open Height 8"**
- **Throat Depth 4.25"**
- **Heavy Duty design with 6"x8" platen**
- **Throughspace 6"**
(for flexible working area)

Call TODAY for a Quote!

1-888-889-4287

or email sales@joraco.com

AIM JORACO



Direct-Aire

Straight Cylinder Press
 Model 300 Series
 Model 400 series